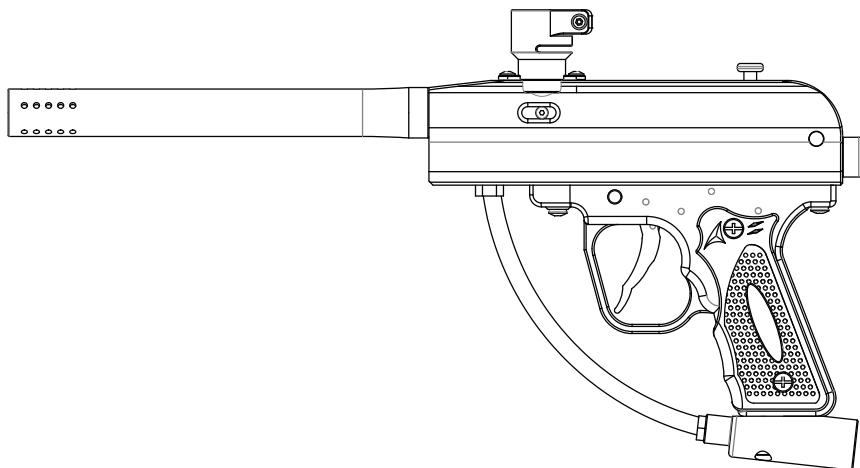


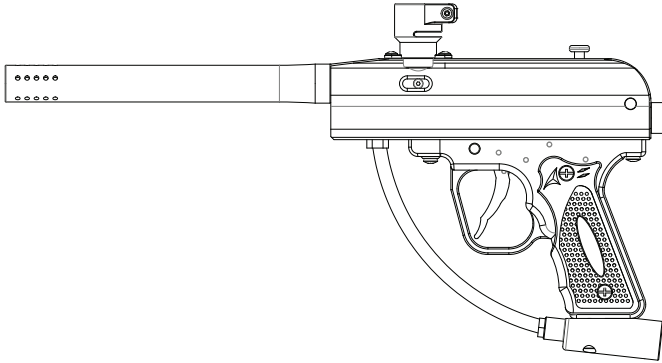
# valken®

## Razorback Paintball Marker Manual



### **Warning Read Manual Before Use**

This paintball marker is not a toy. Misuse of this product could result in serious injury or death. Proper face, throat, ear, and eye protection designed specifically for paintball must be worn by the user and persons within range. Recommend 18 years of age or older to purchase. Persons under 18 years of age must have adult supervision.



## Using your Razorback Paintball Marker

Before beginning setup, locate the on/off switch above the trigger. Make sure the on/off switch is in the off/ safety position so that the marker is not accidentally discharged during setup.

## Barrel Installation

1. Make sure the marker is set in the off/safe position and that the hopper is removed. Make sure that no paintballs are in the feed port or breech. Confirm that the on/off switch is set to the far left position which is the off or "safe" mode.
2. While pointing marker in a safe direction, place the threaded end of the barrel into the front opening of the marker body.
3. Turn the barrel clockwise until it stops. Do not turn the barrel with too much force, just allow the threads to draw the barrel in until it stops. Do not over tighten.
4. Immediately install a barrel blocking device. A blocking device is any device that prevents the accidental discharge of a paintball, such as a barrel plug.

## Loader Installation

1. Loosen the feed neck allen screw.
2. Insert the loader into the opening of the feed neck until it bottoms out.
3. Align the loader so that the lid is to the rear.
4. Using an allen wrench tighten until loader is secure.

## Air Cylinder Installation

1. With a barrel blocking device properly installed, point the marker in a safe direction. Pull the cocking knob located on the top of the marker back until it clicks and stops. This will cock the marker. Release the cocking knob and the marker is now cocked.
2. Locate the air source adapter at the base of the grip frame.
3. Position the marker so that the air source adapter is pointed upwards and make sure that the barrel of the marker is pointed down.
4. Insert the end of the threaded cylinder valve into the adapter.
5. Do not push the cylinder, but slowly twist the cylinder clockwise. Allow the threads to draw the cylinder into the marker until it stops. Once it stops, the marker is charged.

## Firing your Razorback Paintball Marker

1. Make sure eye protective devices designed specifically for paintball use are worn by the operator and anyone within range.
2. While pointing the marker in a safe direction, remove the barrel blocking device.
3. Push the trigger safety to the "fire" mode by pushing it in on the right side of the marker. The red o-ring will now be visible on the left side and the marker is in "fire" mode.
4. Aim your marker at a safe target and pull the trigger.
5. When finished shooting, return the trigger safety to the "safe" mode and replace the barrel blocking device.

## Velocity Adjustment

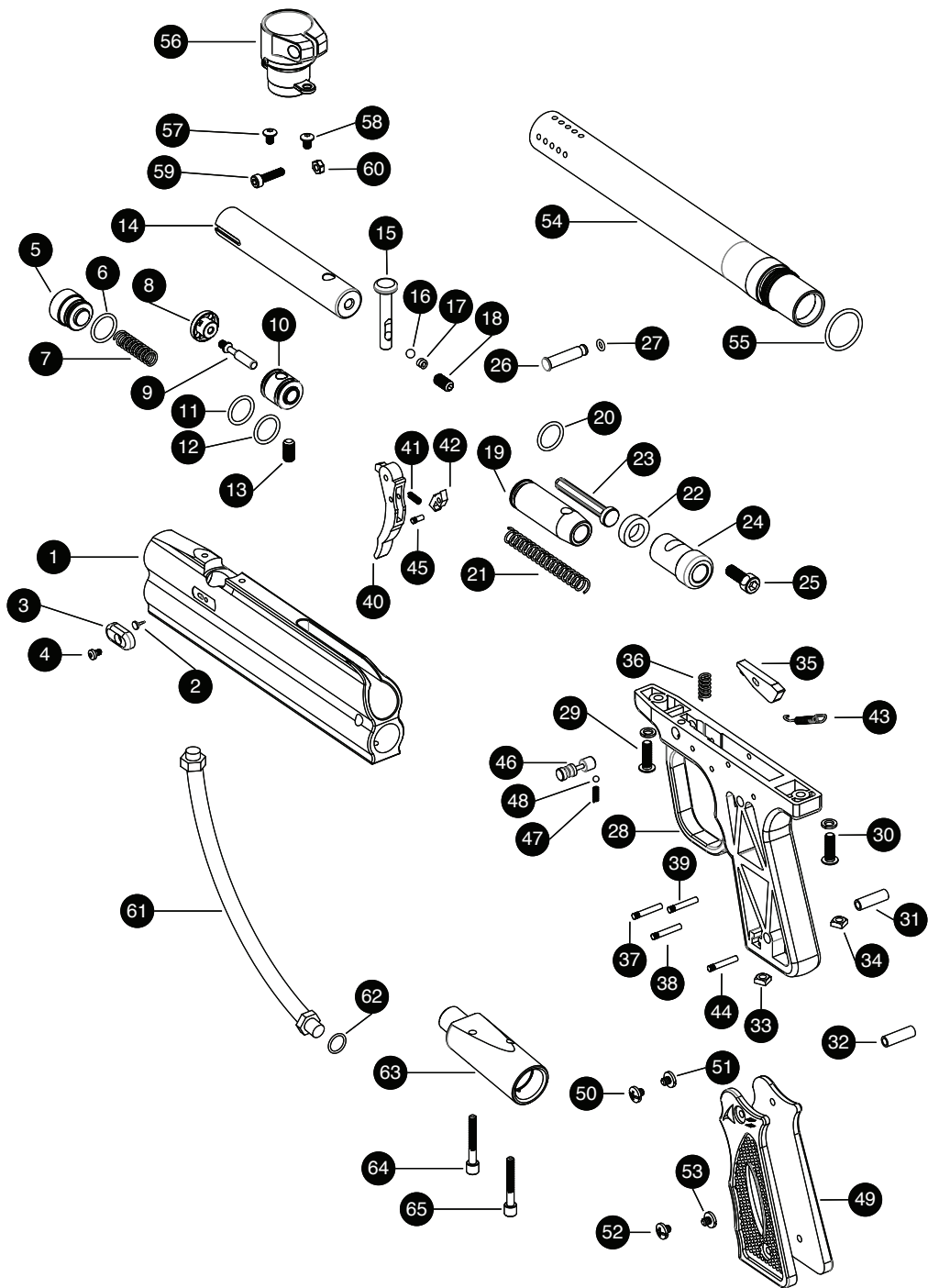
- a. Do not adjust the velocity without using a chronograph designed to measure the velocity of a paintball. Adjusting the velocity without using a paintball-specific chronograph may cause unsafe paintball speeds, which may result in serious injury or death.
- b. Make sure eye protective devices designed specifically for paintball use are worn by the operator and anyone within range.
  1. Point the marker in a safe direction. Then, remove the barrel blocking device.
  2. Aim your marker barrel over the chronograph.
  3. Set the trigger safety to fire by pushing the safety pin in on the right side of the marker.
  4. Pull the trigger once and observe the reading on the chronograph.
  5. Locate the velocity adjuster screw recessed on the rear of the paintball marker receiver.
  6. To increase or decrease the velocity of the paintballs discharged from a marker, use a 3mm Allen wrench to turn the screw counter clockwise to reduce velocity and clockwise to increase velocity.
  7. When finished, set the trigger safety pin to safe mode by pushing the safety pin in on the left side of the marker, and replace the barrel blocking device.

\*Note: When adjusting the velocity, make small adjustments, testing after each adjustment. When reducing velocity, it may be necessary to make several adjustments before a reduction in velocity is achieved.

## Storing your Razorback Paintball Marker

1. When play is done for the day, proper storage of the marker is essential to maintain proper function and extend the life of the marker.
2. Make sure eye protective devices designed specifically for paintball use are worn by the operator and anyone within range.
3. Empty the paintballs from the loader and remove the loader from the feed neck.
4. Point the marker in a safe direction and set the on/off switch to the on or "fire" mode.
5. Remove the barrel blocking device and fire the marker in a safe direction until it is empty of paintballs.
6. Unscrew and remove the barrel.
7. Set the on/off switch all the way to the left into the off or "safe" mode.
8. The marker is now ready to be cleaned or put away for future use.

Part	Code	Name	UPC
-	106020	Marker - Valken Razorback 68 Cal-Black	844959106020
-	108222	Marker - Valken Razorback 68 Cal-Blue	844959108222
-	108239	Marker - Valken Razorback 68 Cal-Red	844959108239
1	108246	Marker Parts - Razorback Part# 01 Body-Black	844959108246
1	108253	Marker Parts - Razorback Part# 01 Body-Blue	844959108253
1	108260	Marker Parts - Razorback Part# 01 Body-Red	844959108260
2	108307	Marker Parts - Razorback Part# 02 Detent Cover	844959108307
3	108314	Marker Parts - Razorback Part# 03 Ball Detent	844959108314
4	108321	Marker Parts - Razorback Part# 04 Detent Cover Screw	844959108321
5	108338	Marker Parts - Razorback Part# 05 Front Plug	844959108338
6	108345	Marker Parts - Razorback Part# 06 Front Plug O-Ring	844959108345
7	108352	Marker Parts - Razorback Part# 07 Cup Seal Spring	844959108352
8	108369	Marker Parts - Razorback Part# 08 Cup Seal	844959108369
9	108376	Marker Parts - Razorback Part# 09 Cup Seal Pin	844959108376
10	108383	Marker Parts - Razorback Part# 10 Valve	844959108383
11	108390	Marker Parts - Razorback Part# 11 Front Valve O-Ring	844959108390
12	108406	Marker Parts - Razorback Part# 12 Rear Valve O-Ring	844959108406
13	108413	Marker Parts - Razorback Part# 13 Valve Screw	844959108413
14	108420	Marker Parts - Razorback Part# 14 Bolt	844959108420
15	108437	Marker Parts - Razorback Part# 15 Top Cocking Pin	844959108437
16	108444	Marker Parts - Razorback Part# 16 Cocking Pin Ball Bearing	844959108444
17	108451	Marker Parts - Razorback Part# 17 Cocking Pin Spring	844959108451
18	108468	Marker Parts - Razorback Part# 18 Cocking Pin Screw	844959108468
19	108475	Marker Parts - Razorback Part# 19 Hammer	844959108475
20	108482	Marker Parts - Razorback Part# 20 Hammer O-Ring	844959108482
21	108727	Marker Parts - Razorback Part# 21 Hammer Spring	844959108727
22	108734	Marker Parts - Razorback Part# 22 Buffer	844959108734
23	108796	Marker Parts - Razorback Part# 23 Velocity Adjuster	844959108796
24	108840	Marker Parts - Razorback Part# 24 End Cap	844959108840
25	108604	Marker Parts - Razorback Part# 25 Velocity Adjuster Screw	844959108604
26	108826	Marker Parts - Razorback Part# 26 Quick Disconnect Pin	844959108826
27	108499	Marker Parts - Razorback Part# 27 Quick Disconnect Pin O-Ring	844959108499
28	108925	Marker Parts - Razorback Part# 28 Trigger Frame	844959108925
29	108611	Marker Parts - Razorback Part# 29 Front Trigger Frame Screw	844959108611
30	108628	Marker Parts - Razorback Part# 30 Rear Trigger Frame Screw	844959108628
31	108802	Marker Parts - Razorback Part# 31 Top Trigger Frame Brace	844959108802
32	108819	Marker Parts - Razorback Part# 32 Bottom Trigger Frame Brace	844959108819
33	108567	Marker Parts - Razorback Part# 33 Bottom ASA Nut 1	844959108567
34	108574	Marker Parts - Razorback Part# 34 Bottom ASA Nut 2	844959108574
35	108888	Marker Parts - Razorback Part# 35 Sear	844959108888
36	108666	Marker Parts - Razorback Part# 36 Sear Spring	844959108666
37	108741	Marker Parts - Razorback Part# 37 Front Sear Pin	844959108741
38	108758	Marker Parts - Razorback Part# 38 Rear Sear Pin	844959108758
39	108765	Marker Parts - Razorback Part# 39 Sear Spring Pin	844959108765
40	108864	Marker Parts - Razorback Part# 40 Trigger	844959108864
41	108710	Marker Parts - Razorback Part# 41 Trigger Spring	844959108710
42	108833	Marker Parts - Razorback Part# 42 Trigger Sear	844959108833
43	108673	Marker Parts - Razorback Part# 43 Trigger Sear Spring	844959108673
44	108772	Marker Parts - Razorback Part# 44 Trigger Sear Pin	844959108772
45	108789	Marker Parts - Razorback Part# 45 Trigger Pin	844959108789
46	108857	Marker Parts - Razorback Part# 46 Safety Button	844959108857
47	108680	Marker Parts - Razorback Part# 47 Safety Spring	844959108680
48	108635	Marker Parts - Razorback Part# 48 Safety Ball Bearing	844959108635
49	108895	Marker Parts - Razorback Part# 49 Grip Panel	844959108895
50	108529	Marker Parts - Razorback Part# 50 Grip Panel Screw 1	844959108529
51	108536	Marker Parts - Razorback Part# 51 Grip Panel Screw 2	844959108536
52	108543	Marker Parts - Razorback Part# 52 Grip Panel Screw 3	844959108543
53	108550	Marker Parts - Razorback Part# 53 Grip Panel Screw 4	844959108550
54	108277	Marker Parts - Razorback Part# 54 Barrel-Black	844959108277
54	108284	Marker Parts - Razorback Part# 54 Barrel-Blue	844959108284
54	108291	Marker Parts - Razorback Part# 54 Barrel-Red	844959108291
55	108505	Marker Parts - Razorback Part# 55 Barrel O-Ring	844959108505
56	108871	Marker Parts - Razorback Part# 56 Feed neck	844959108871
57	108697	Marker Parts - Razorback Part# 57 Feed neck Screw 1	844959108697
58	108703	Marker Parts - Razorback Part# 58 Feed neck Screw 2	844959108703
59	108581	Marker Parts - Razorback Part# 59 Feed neck Clamp Screw	844959108581
60	108598	Marker Parts - Razorback Part# 60 Feed neck Clamp Nut	844959108598
61	108901	Marker Parts - Razorback Part# 61 High Pressure Hose	844959108901
62	108512	Marker Parts - Razorback Part# 62 High Pressure Hose O-Ring	844959108512
63	108918	Marker Parts - Razorback Part# 63 Bottom ASA	844959108918
63	108918	Marker Parts - Razorback Part# 63 Bottom ASA-Black	844959108918
63	108284	Marker Parts - Razorback Part# 63 Bottom ASA-Blue	844959108284
63	108291	Marker Parts - Razorback Part# 63 Bottom ASA-Red	844959108291
64	108642	Marker Parts - Razorback Part# 64 Bottom ASA Screw 1	844959108642
65	108659	Marker Parts - Razorback Part# 65 Bottom ASA Screw 2	844959108659



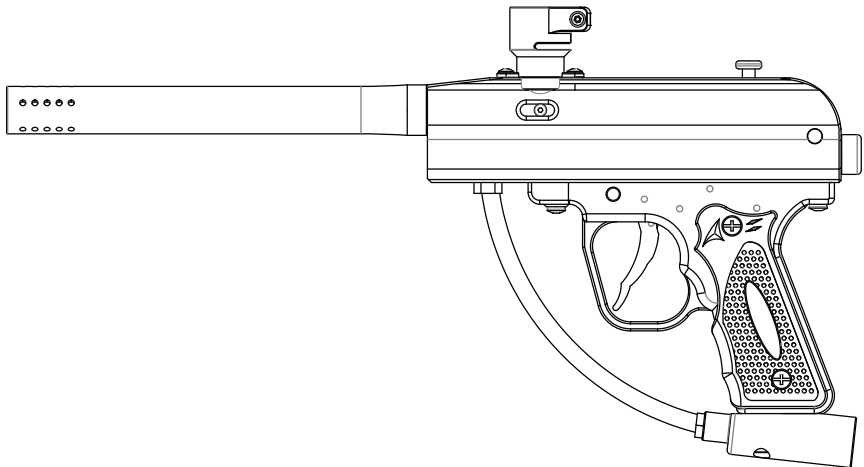
# Razorback Paintball Marker Specifications

Thank you for purchasing the Razorback Paintball Marker by Valken Paintball. The Paintball Marker was designed to be a durable paintball marker for players of all experience levels in all conditions and be easy to maintain.

## Specifications

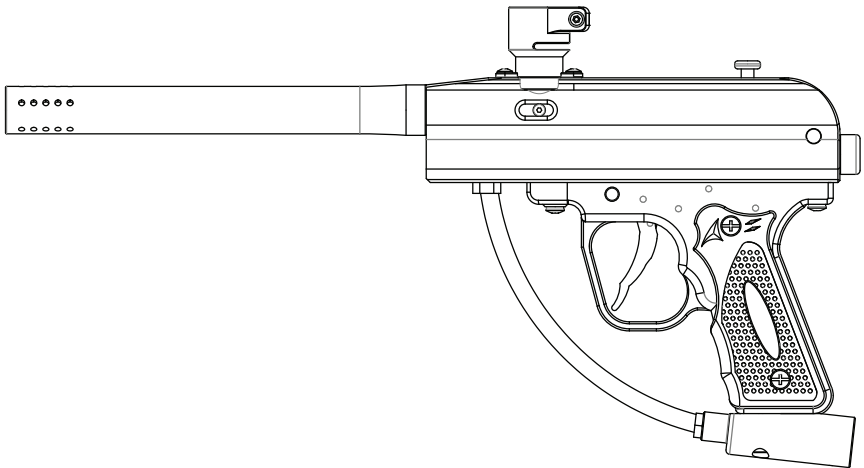
Caliber.....	0.68
Action.....	Semi-Automatic
Barrel .....	Removable 8" ported
Power.....	CO2 or Compressed Air (High Output)
Construction.....	Metal & Polymer
Velocity .....	Up to 300 Feet Per Second (FPS)
Max Joule .....	12.6
Effective Range .....	125+ feet

This product meets all ASTM Standards related to paintball products including but not limited to F1979, F2271, and F2272



## Rules of Safe Marker Handling

1. Treat every marker as if it were loaded.
2. Never look down the barrel of a paintball marker.
3. Keep your finger off the trigger until ready to shoot.
4. Never point the marker at anything you don't wish to shoot.
5. Keep the marker on "safe" until ready to shoot.
6. Keep the barrel blocking device in the marker's muzzle when not shooting.
7. Always remove paintballs and propellant source before disassembly.
8. After removing air source, point marker in safe direction and discharge until marker is degassed.
9. Store the marker unloaded and degassed in a secure place.
10. Follow warnings listed on propellant source for handling and storage.
11. Do not shoot at fragile objects, such as windows.
12. Every person within range must wear eye, face, and ear protection designed specifically to stop paintballs and meeting ASTM standard F1776.
13. Always measure your marker's velocity before playing paintball and never shoot at velocities in excess of 91.44 meters (300 feet/per- second).
14. Do not use this marker to shoot at a target closer than 20 feet.





## LIMITED WARRANTY

Valken Paintball guarantees the Razorback Paintball Marker against defects in material and or workmanship of this marker for twelve (12) months from the original date of purchase by the original retail purchaser. To activate your warranty, fill out the warranty card and mail it, along with a copy of the original purchase receipt. In the event that a part is defective, Valken will send out a replacement part free of charge. Wearable items such as o-rings, screws, ball detents are not covered under this warranty. Failure of any part due to an accident, abuse, neglect, modification, misuse, operator error, lack of maintenance, or use of parts inconsistent with the use originally intended for the marker as sold is not covered by this warranty.

Valken makes no other warranties or guarantees, expressed or implied for this marker. Valken limits its sole and exclusive liability and that of its authorized dealers, affiliates, or agents pursuant to this warranty to cover repair or replacement of the defective part. Incidental and consequential damages are expressly excluded hereunder. Valken Paintball, its authorized dealers, affiliates, or agents, will not be liable under this warranty, nor under any state or federal law, or the common law or otherwise for any damage or failure, including personal injury, resulting from such use and/or alteration. This warranty gives you specific legal rights, and additional rights vary from state to state.

### **Warranty Registration Card**

Name \_\_\_\_\_

Address \_\_\_\_\_

City \_\_\_\_\_

State/Province \_\_\_\_\_

Zip Code \_\_\_\_\_

Country \_\_\_\_\_

Phone \_\_\_\_\_

E-Mail \_\_\_\_\_

Purchased from \_\_\_\_\_

Store location \_\_\_\_\_

Purchase price \_\_\_\_\_

For warranty parts, service or information contact:

Valken • 1 Hawk Court • Swedesboro, NJ 08085

(856) 812-2800 • [www.valken.com](http://www.valken.com)